

CURRENT TRANSFORMER

Model 3P30

Window Diameter 2.88"

APPLICATION:

3 phase metering and other switchboard applications.

FREQUENCY:

50-400 Hz.

INSULATION LEVEL:

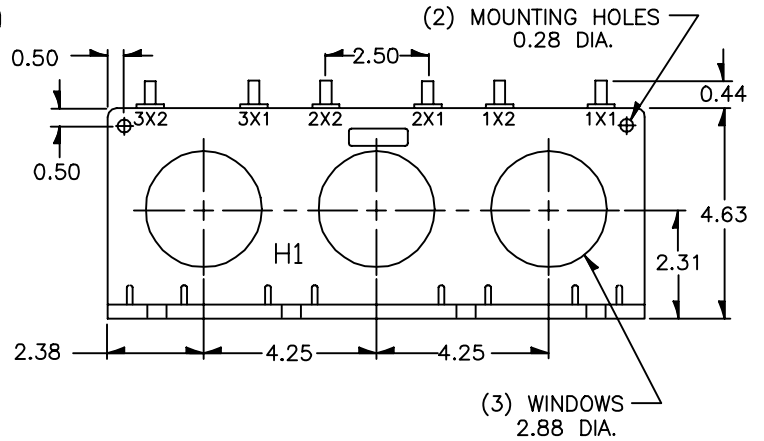
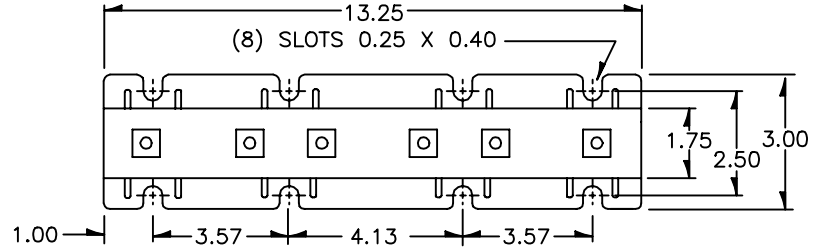
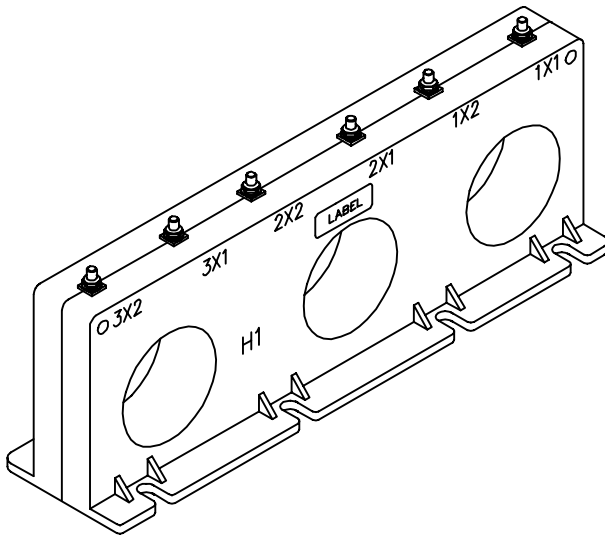
600 Volt, 10 kV BIL full wave.

REGULATORY AGENCY APPROVALS



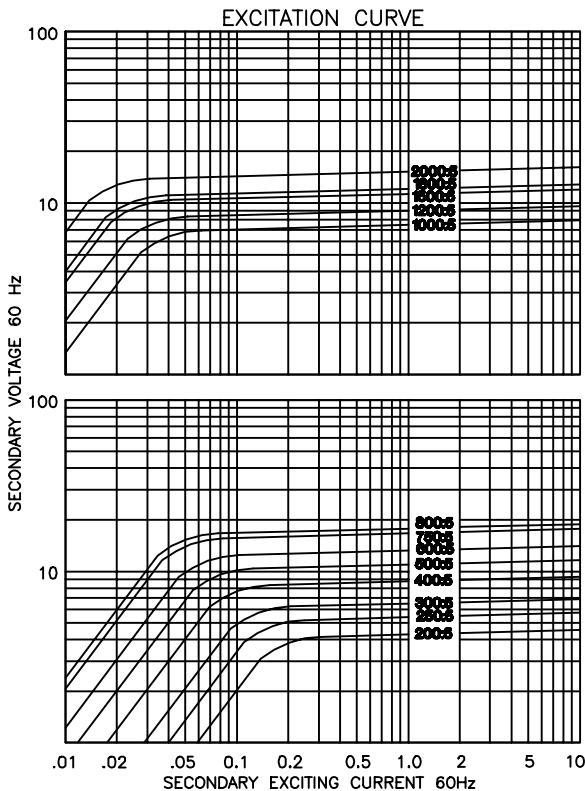
Manufactured to meet the requirements of ANSI/IEEE C57.13.
Classified by U.L. in accordance with IEC 44-1

- Terminals are brass studs No.8-32 with one flatwasher, lockwasher and regular nut.
- Approximate weight 3 lbs.



NOTE:

Holes at the top of the transformer case can be used for attaching auxiliary device mounting plate, (not supplied). If the application requires transformer mounted relays, etc., then transformer can be ordered with secondary leads configured in various ways (consult factory).



CATALOG NUMBER	CURRENT RATIO	VA FOR 1% CLASS	ANSI METERING CLASS AT 60 Hz					SECONDARY WINDING RESISTANCE (OHMS @ 75°C.)
			B0.1	B0.2	B0.5	B0.9	B1.8	
3P30-201	200:5	5	1.2	1.2	4.8	-	-	0.035
3P30-251	250:5	5	0.6	1.2	2.4	-	-	0.053
3P30-301	300:5	6	0.6	0.6	2.4	-	-	0.061
3P30-401	400:5	10	0.6	0.6	1.2	2.4	-	0.076
3P30-501	500:5	10	0.6	0.6	0.6	1.2	-	0.101
3P30-601	600:5	10	0.3	0.6	1.2	1.2	-	0.182
3P30-751	750:5	10	0.3	0.6	0.6	1.2	-	0.182
3P30-801	800:5	12.5	0.3	0.3	0.6	1.2	1.2	0.242
3P30-102	1000:5	12.5	0.3	0.6	1.2	-	-	0.280
3P30-122	1200:5	12.5	0.3	0.3	0.6	-	-	0.336
3P30-152	1500:5	12.5	0.3	0.3	0.6	0.6	-	0.419
3P30-162	1600:5	20	0.3	0.3	0.3	0.6	-	0.447
3P30-202	2000:5	20	0.3	0.3	0.3	0.3	-	0.704